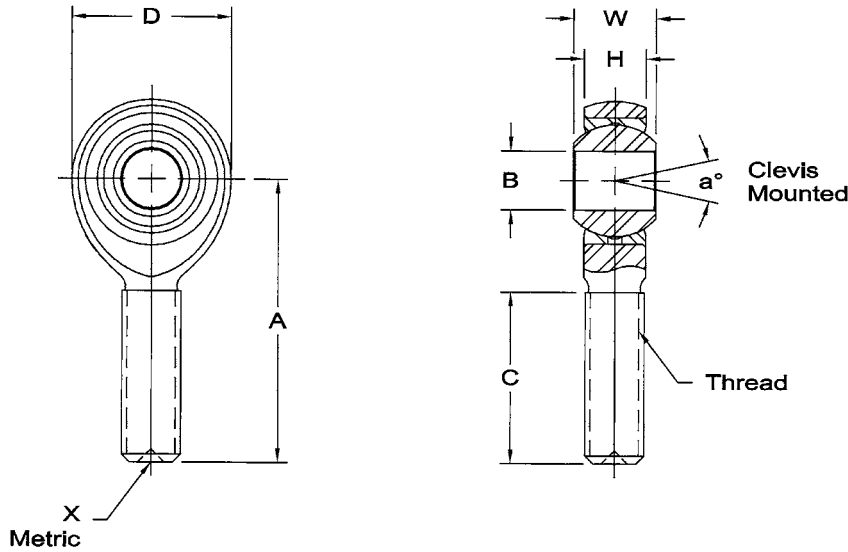


Pegasus Part No. 3066 Alloy Steel Rod Ends, Metric (Aurora AM-M and AB-M Series)

These high-strength rod end bearings provide the ultimate in strength, durability, and safety. The ball, race, and housing are all made with heat-treated alloy steels. The ball is hard chrome plated, and the race has a PTFE fabric lining bonded

to it. These bearings are very resistant to loosening, even when subjected to the pounding they receive under racing conditions. Male threaded shanks only. Aurora AM-M-T (right hand) and AB-M-T (left hand) series.



Body: Alloy steel, heat treated, protective coated for corrosion resistance.

Race: Alloy steel, heat treated, protective coated for corrosion resistance.

Ball: Alloy steel, heat treated and hard chrome plated.

Lubrication: Self-lubricating PTFE liner.

Aurora AM-M (Right Hand) / AB-M (Left Hand) Alloy Steel Rod Ends, Male Metric Threaded Shanks

B +.065 -.013	Thread (Metric)	C ±1.00	A ±.40	W ±.13	H ±.13	D ±.38	a°	Weight, grams (Approx.)	Static Radial Load Rating†	Pegasus Part No.
6	6x1.00	22	36	9	7.00	19.00	13°	18	17,720 N	3066-M6x1.0-L or -R
8	8x1.00*	25	42	12	8.75	22.25	18°	31	33,203 N	3066-M8x1.0-L or -R
8	8x1.25	25	42	12	8.75	22.25	18°	31	33,203 N	3066-M8x1.25-L or -R
10	10x1.25*	29	48	14	10.50	27.00	17°	68	50,227 N	3066-M10x1.25-L or -R
10	10x1.50	29	48	14	10.50	27.00	17°	68	50,227 N	3066-M10x1.50-L or -R
12	12x1.25*	33	54	16	12.00	30.00	17°	78	44,490 N	3066-M12x1.25-L or -R
12	12x1.75	33	54	16	12.00	30.00	17°	78	44,490 N	3066-M12x1.75-L or -R
14	14x1.50*	36	60	19	13.50	34.75	21°	118	71,741 N	3066-M14x1.50-L or -R
14	14x2.00	36	60	19	13.50	34.75	21°	118	71,741 N	3066-M14x2.0-L or -R
16	16x2.00	40	66	21	14.25	38.00	23°	173	76,291 N	3066-M16x2.0-L or -R

* Non-standard thread.

† Divide by 10 to calculate axial load rating.

Part No. 3066 Alloy Steel Rod Ends, Male Metric Shank

Aurora Rod End Bearings

Suspension Technical Documents



Pegasus Auto Racing Supplies
2475 S 179th St
New Berlin, WI 53146

1-800-688-6946 / 262-317-1234
1-262-317-1201 (fax)
www.PegasusAutoRacing.com