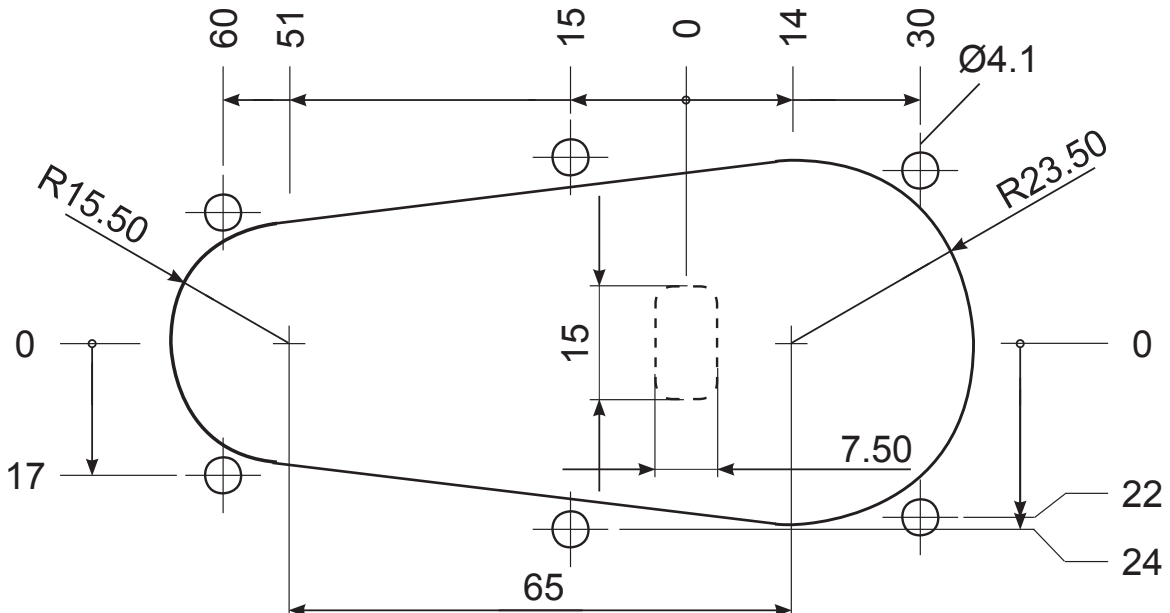
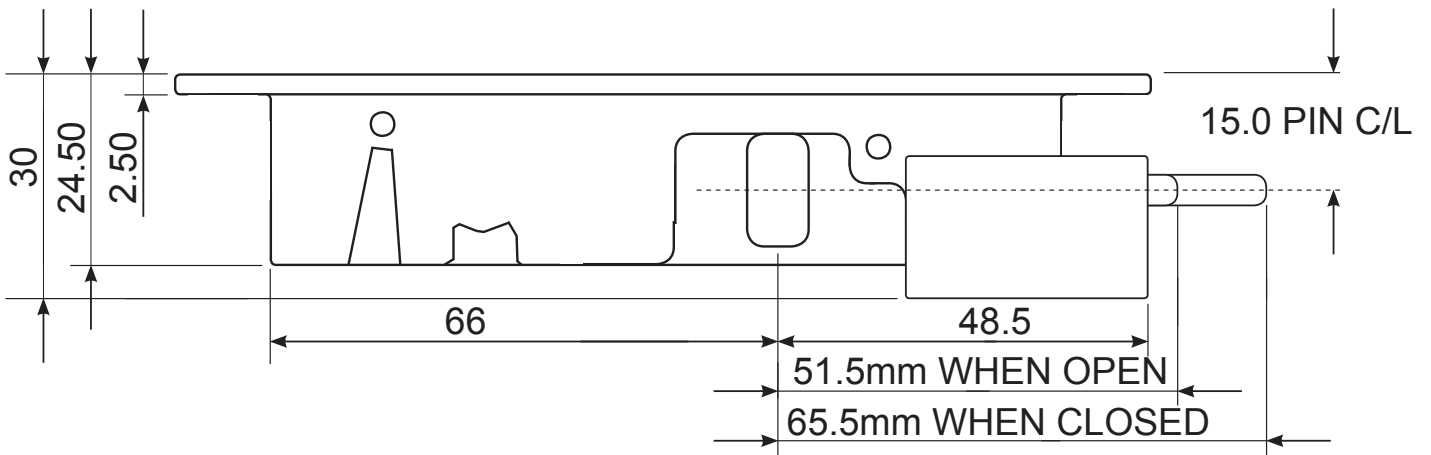
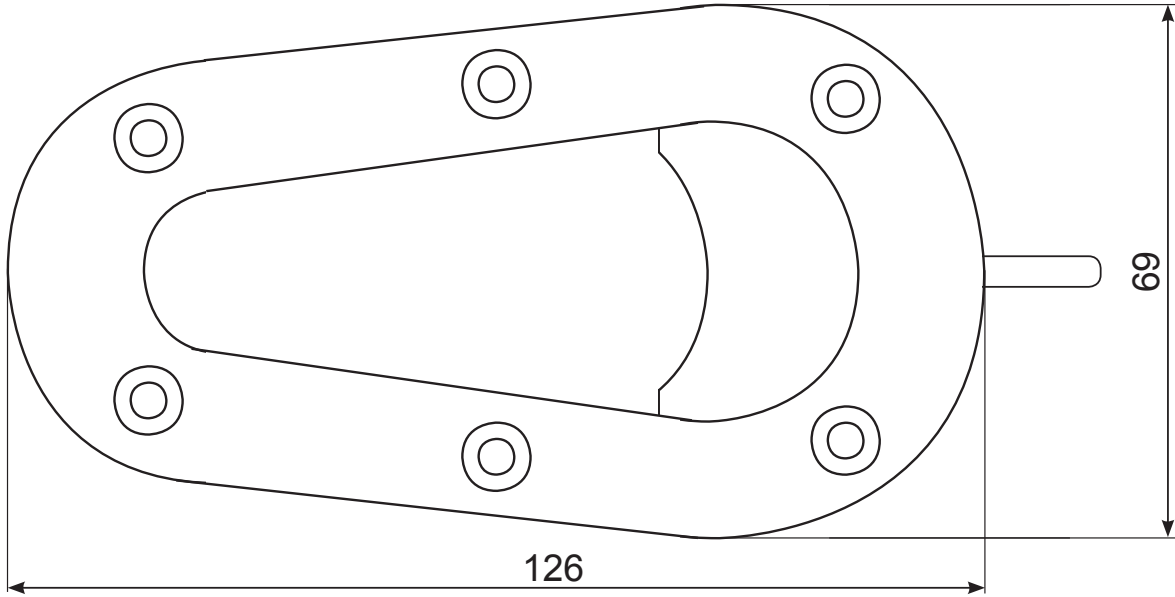


AeroCatch 2 Dimensions



PANEL CUTTING GUIDE
NOT TO SCALE