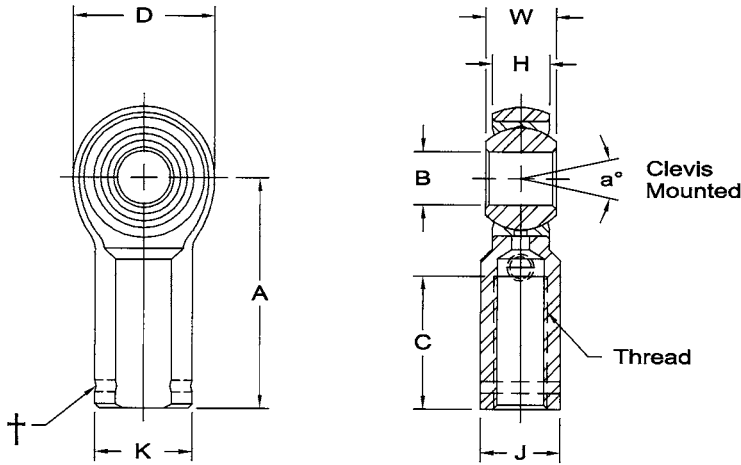


**Pegasus Part No. 3061 Carbon Steel Rod Ends, Female (Aurora MW and MG Series)**

These economical yet high-precision rod end bearings are perfect for moderately-stressed joints. The ball is heat treated and hard chrome plated alloy steel, and the carbon steel race has a PTFE fabric lining bonded to it. The carbon steel body

limits the load rating, but they will provide very long life in lower-stressed or non-critical uses such as sway bar links or shift linkage supports. Female threaded shanks only. Aurora MW-T (right hand) and MG-T (left hand) series.



† Groove indicates left-hand threads.

**Body:** Carbon steel, protective coated for corrosion resistance.

**Race:** Carbon steel, protective coated for corrosion resistance.

**Ball:** Alloy steel, heat treated and hard chrome plated.

**Lubrication:** Self-lubricating PTFE liner.

**Aurora MW (Right Hand) / MG (Left Hand) Carbon Steel Rod Ends, Female Threaded Shanks**

B +.0015 -.0005	Thread (UNF-2B)	C +.062 -.031	A +/- .015	W +.000 -.005	H +/- .005	D +/- .010	J +/- .010	K +/- .010	a°	Weight, Ounces (Approx.)	Static Radial Load Rating*	Pegasus Part No.
3/16"	10-32	5/8"	1 1/16"	5/16"	1/4"	5/8"	5/16"	13/32"	13°	.7	1531 lb	3061-3-L or -R
1/4"	1/4-28	3/4"	1 5/16"	3/8"	9/32"	3/4"	3/8"	15/32"	16°	1	2539 lb	3061-4-L or -R
5/16"	5/16-24	3/4"	1 3/8"	7/16"	11/32"	7/8"	7/16"	1/2"	14°	1.5	3133 lb	3061-5-L or -R
3/8"	3/8-24	15/16"	1 5/8"	1/2"	13/32"	1"	9/16"	11/16"	12°	2.4	3915 lb	3061-6-L or -R
7/16"	7/16-20	1 1/16"	1 13/16"	9/16"	7/16"	1 1/8"	5/8"	3/4"	14°	3.2	4218 lb	3061-7-L or -R
1/2"	1/2-20	1 5/16"	2 1/8"	5/8"	1/2"	1 3/16"	3/4"	7/8"	12°	5.3	6660 lb	3061-8-L or -R
5/8"	5/8-18	1 1/2"	2 1/2"	3/4"	9/16"	1 1/2"	7/8"	1"	16°	7.7	7364 lb	3061-10-L or -R
3/4"	3/4-16	1 3/4"	2 7/8"	7/8"	11/16"	1 3/4"	1"	1 1/8"	14°	11.6	11,518 lb	3061-12-L or -R

\* Divide by 10 to calculate the axial load rating.

Part No. 3061 Carbon Steel Rod Ends, Female Shank

Aurora Rod End Bearings

Suspension Technical Documents



**Pegasus Auto Racing Supplies**  
2475 S 179th St  
New Berlin, WI 53146

**1-800-688-6946 / 262-317-1234**  
1-262-317-1201 (fax)  
[www.PegasusAutoRacing.com](http://www.PegasusAutoRacing.com)