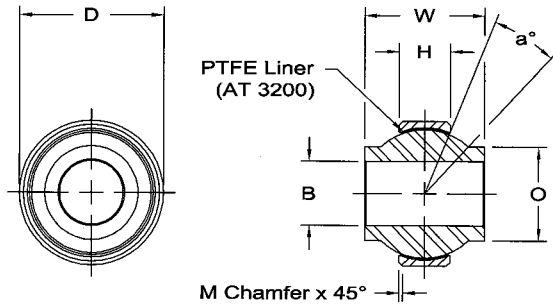


Pegasus Part No. 3072 High-Misalignment Spherical Bearings (Aurora HAB Series)

These spherical bearings have a necked ball to allow greater misalignment than standard bearings. The necked ball is heat-treated and hard chrome plated alloy steel. The race is heat-treated 4130 steel with a self-lubricating PTFE

fabric lining bonded to it. These bearings are very resistant to loosening, even when subjected to the pounding they receive under racing conditions. Aurora HAB-T series.



Race: 4130 steel, heat treated, protective coated for corrosion resistance.

Ball: Alloy steel, heat treated and hard chrome plated.

Lubrication: (AT 3200) Self-lubricating PTFE liner, qualified to SAE-AS81820 (formerly MIL-B-81820).

Aurora HAB High-Misalignment Spherical Bearings

B	W	H	D	O	a°	Weight, Ounces (Approx.)	Static Radial Load Rating	Pegasus Part No.
Bore ID	Ball Width	Race Width	Race OD	Shoulder OD	Max. Angle			
+ .0000 - .0005	+ .000 - .005	± .005	+ 0000 - .0005					
3/8"	0.813"	0.345"	0.9060"	0.512"	23°	1.2	16,975 lb	3072-6
7/16"	7/8"	0.345"	1.0000"	0.618"	22°	1.5	19,018 lb	3072-7
1/2"	15/16"	0.401"	1.1250"	0.730"	20°	2.2	25,263 lb	3072-8
5/8"	1.200"	0.567"	1.3750"	0.856"	18°	4.0	44,651 lb	3072-10
3/4"	1.280"	0.620"	1.5625"	0.970"	18°	5.3	53,707 lb	3072-12

Part No. 3072 High-Misalignment Spherical Bearings

Aurora Spherical Bearings

Suspension Technical Documents

